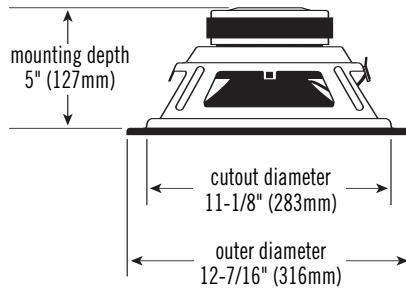


SPECIFICATIONS

DIAMETER:	12" (300MM)
SENSITIVITY (2.83V @ 1M):	90dB
POWER HANDLING:	350W _{RMS} (1,400W _{PEAK})
FREQUENCY RESPONSE:	23 ~ 400Hz
NOMINAL IMPEDANCE:	2 OR 8 OHMS
VOICE-COIL DIAMETER:	3" (76.2MM)

DIMENSIONS:

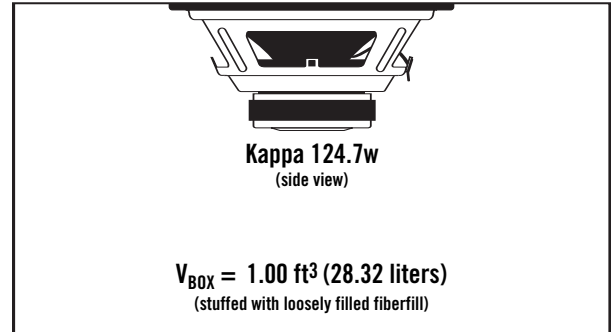


THIELE-SMALL PARAMETERS*

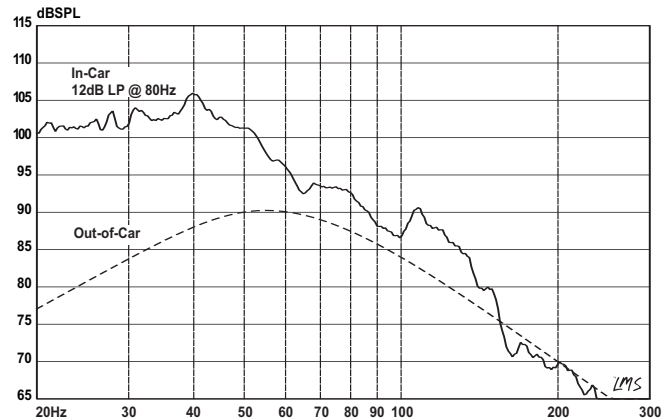
VOICE-COIL DC RESISTANCE:	R_{EVC} (OHMS)	2.00
VOICE-COIL INDUCTANCE @ 1kHz:	L_{EVC} (MH)	1.23
DRIVER RADIATING AREA:	S_D (IN ²)	82.15
	S_D (CM ²)	530.00
MOTOR FORCE FACTOR:	BL (TM)	12.40
COMPLIANCE VOLUME:	V_{AS} (FT ³)	3.13
	V_{AS} (LITERS)	88.66
SUSPENSION COMPLIANCE:	C_{MS} (µM/N)	216.00
MOVING MASS, AIR LOAD:	M_{MS} (GRAMS)	243.90
MOVING MASS, DIAPHRAGM:	M_{MD} (GRAMS)	236.90
FREE-AIR RESONANCE:	F_S (Hz)	21.90
MECHANICAL Q:	Q_{MS}	7.79
ELECTRICAL Q:	Q_{ES}	0.47
TOTAL Q:	Q_{TS}	0.44
MAGNETIC-GAP HEIGHT:	H_{AG} (IN)	5/16
	H_{AG} (MM)	8.00
VOICE-COIL HEIGHT:	H_{VC} (IN)	1-5/16
	H_{VC} (MM)	33.20
MAXIMUM EXCURSION:	X_{MAX} (IN)	1/2
	X_{MAX} (MM)	12.65

*VOICE COILS CONNECTED IN PARALLEL

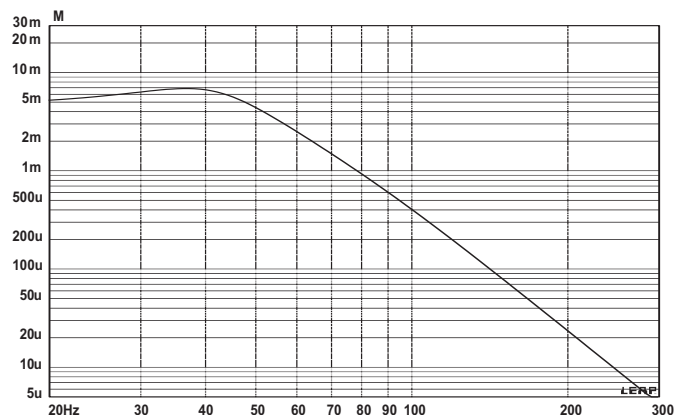
SEALED-ENCLOSURE VOLUME (INCLUDES DRIVER DISPLACEMENT)



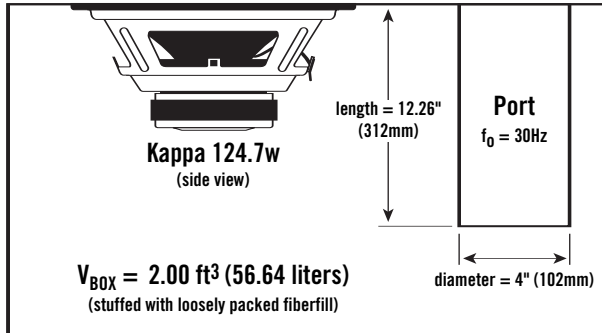
SEALED-ENCLOSURE FREQUENCY RESPONSE @ 2.83V



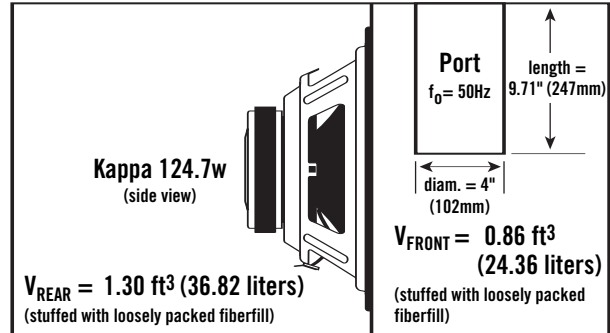
SEALED-ENCLOSURE TRANSDUCER EXCURSION @ 350W



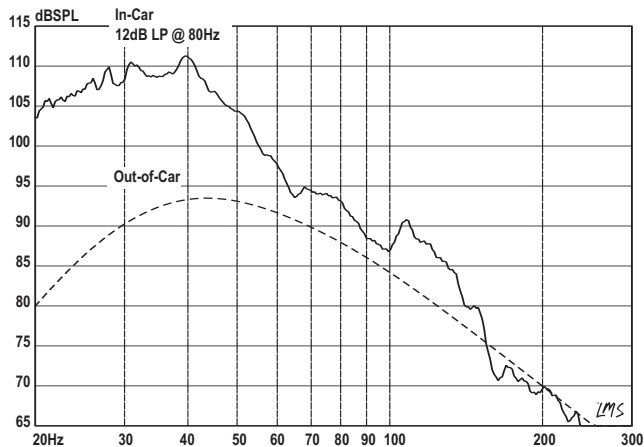
VENTED-ENCLOSURE VOLUME (INCLUDES DRIVER DISPLACEMENT)



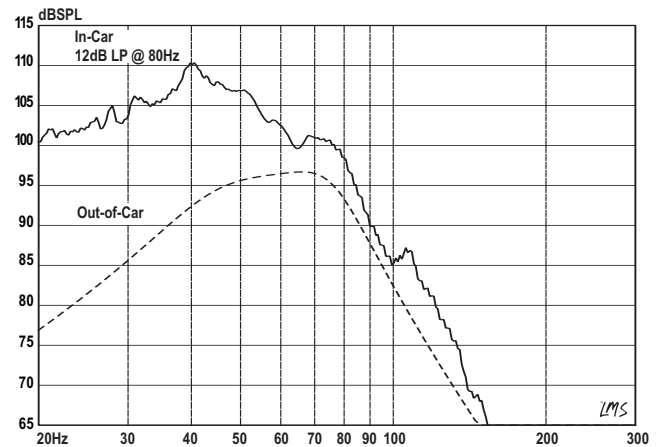
BAND-PASS-ENCLOSURE VOLUME (INCLUDES DRIVER DISPLACEMENT)



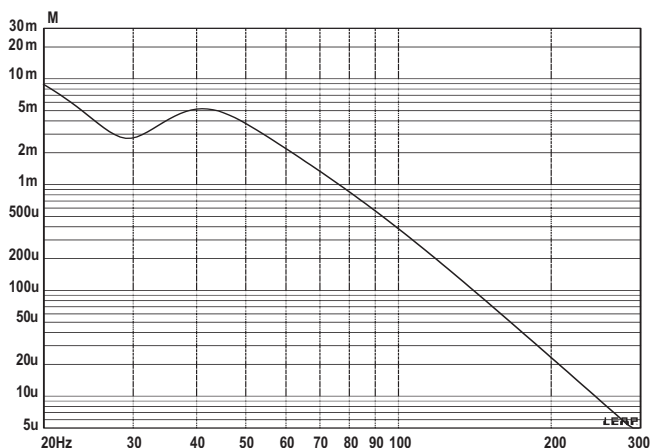
VENTED-ENCLOSURE FREQUENCY RESPONSE @ 2.83V



BAND-PASS-ENCLOSURE FREQUENCY RESPONSE @ 2.83V



VENTED-ENCLOSURE TRANSDUCER EXCURSION @ 350W



BAND-PASS-ENCLOSURE TRANSDUCER EXCURSION @ 350W

